

# DATE STAMPS & INSERTS

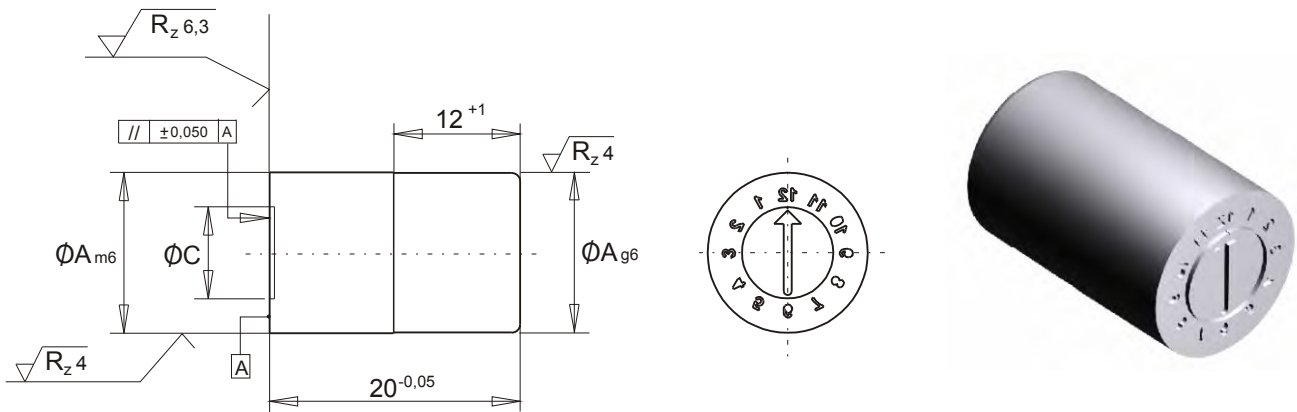
- 01 DATE STAMP
- 02 DATE INSERT
- 03 REFERENCE INSERT
- 04 MARK INSERT
- 05-06-07 DATI 1000 STANDARD STAMP
- 08 IDENTIFICATION STAMP WITH FAST CHANGING SYSTEM MOUNTABLE FROM THE FRONT TOP, DATI 1200 WITH EIGHT ADJUSTMENT
- 09 IDENTIFICATION STAMP WITH FAST CHANGING SYSTEM WITHOUT HEIGHT ADJUSTMENT, DATI 2000
- 10 IDENTIFICATION STAMP WITH FAST CHANGING SYSTEM WITHOUT HEIGHT ADJUSTMENT, DATI 2100
- 11 IDENTIFICATION STAMP WITH FAST CHANGING SYSTEM WITHOUT HEIGHT ADJUSTMENT, DATI 2200
- 12 INSERTS COMPATIBLE WITH DATI 1000/1200/2000/2100/2200
- 13 IDENTIFICATION STAMP WITH FAST CHANGING SYSTEM SHORT VERSION DATI 1300 FOR PRESS IN MOULD WITHOUT FASTENING THREAD WITH EIGHT ADJUSTMENT
- 14 IDENTIFICATION STAMP WITH FAST CHANGING SYSTEM SHORT VERSION WITH FASTENING THREAD, DATI 1400 WITH EIGHT ADJUSTMENT
- 15 INSERTS COMPATIBLE WITH DATI 1400 / 1300 / 1800
- 16-17-18 IDENTIFICATION STAMP WITH FAST CHANGING SYSTEM SHORT VERSION DATI 1800 WITH SCREWABLE FASTENING THAT CAN BE FASTEN DIRECTLY TO THE MOULD WITH HEIGHT ADJUSTMENT
- 19 INSERTS COMPATIBLE WITH DATI 1800 / 1300 / 1400
- 20-21-22 IDENTIFICATION STAMP WITH INDIVIDUAL LOCKING ON EACH POSITION AND FAST CHANGING SYSTEM WITHOUT HEIGHT ADJUSTMENT DATI 2900
- 23 INSERTS COMPATIBLE WITH DATI 2900
- 24 DATI 5000 IDENTIFICATION STAMP WITH FAST CHANGING SYSTEM WITHOUT HEIGHT ADJUSTMENT WITH TAPERED INSERT
- 25 DATI 6000 IDENTIFICATION STAMP WITH FAST CHANGING SYSTEM WITHOUT HEIGHT ADJUSTMENT-RAISED
- 26-27 DATI 9000 MULTIPLE IDENTIFICATION DATE STAMP FAST CHANGING SYSTEM WITHOUT HEIGHT ADJUSTMENT
- 28 DESCRIPTION



# DATE STAMP

**USE:**

This is a permanent date stamp where only the central year insert is changed. The month is changed by using a screwdriver.

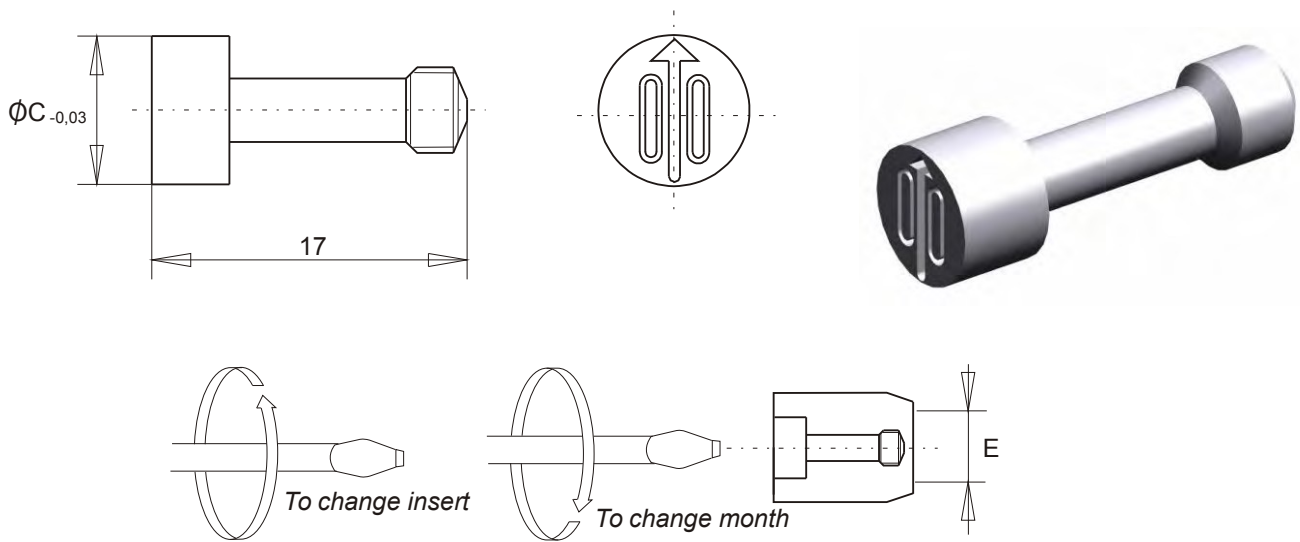


**MATERIAL:** INOX. 1.4034  
**HARDNESS :** 45/50 HRC

A	C	E	12 Months	Annual	Years
6	3.2	4	*	*	*/5
8	4.7	6	*	*	*/5
10	5.7	8	*	*	*/6
12	6.7	10	*	*	*/8
16	8.7	12	*	*	*/10

**ORDER FORM : A x Type.**

# DATE INSERT

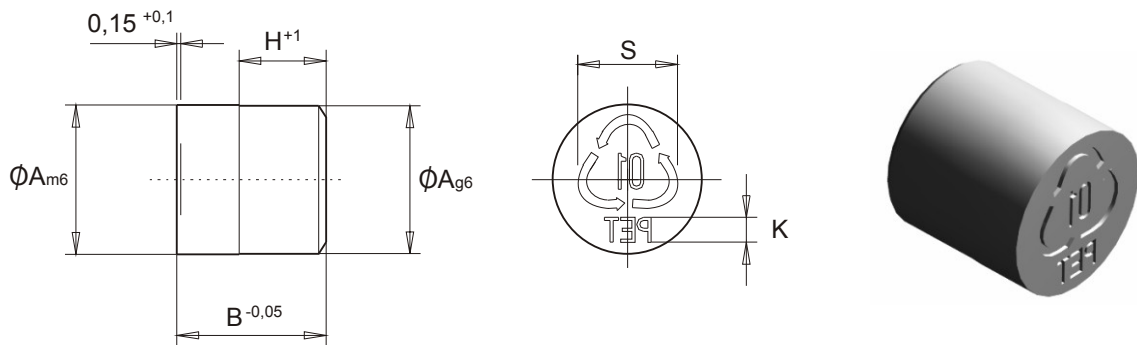


**MATERIAL:** INOX. 1.4034  
**HARDNESS :** 48/54 HRC

C	ARROW ONLY	ARROW + YEAR
3.2	*	*
4.7	*	*
5.7	*	*
6.7	*	*
8.7	*	*

**ORDER FORM : C x Type.**

# REFERENCE INSERT

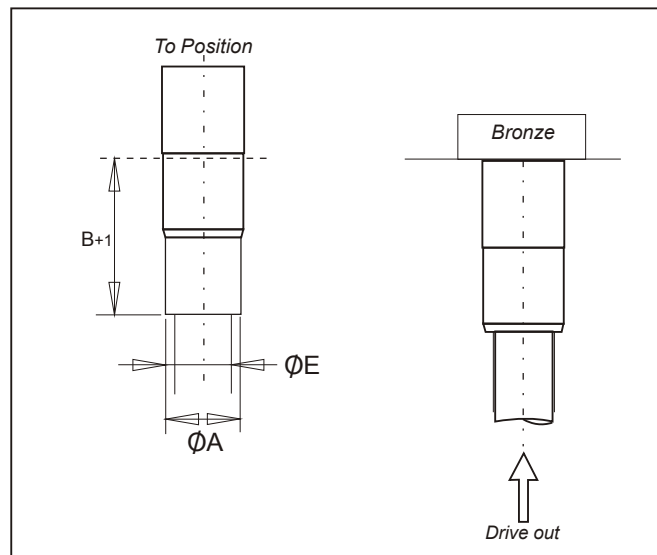
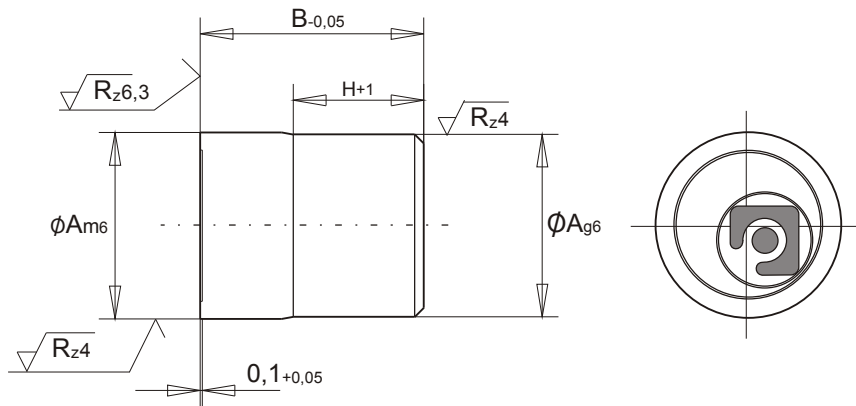


**MATERIAL:** INOX. 1.4034  
**HARDNESS :** 48/54 HRC

A	B	E	H	K	S
10	12	8	7	1.6	5.6
12	12	10	7	2	6.8
16	16	12	9	2.6	9
20	16	16	9	3.2	11.5

**ORDER FORM : A + Engraving. (On customer request)**

# MARK INSERT



**MATERIAL:** INOX. 1.4034  
**HARDNESS :** 48/54 HRC.

A	B	E	H
4	10	2	6
5	10	3	6
6	10	4	6
8	12	6	7
10	12	8	7
12	12	10	7
16	16	12	9
20	16	16	9

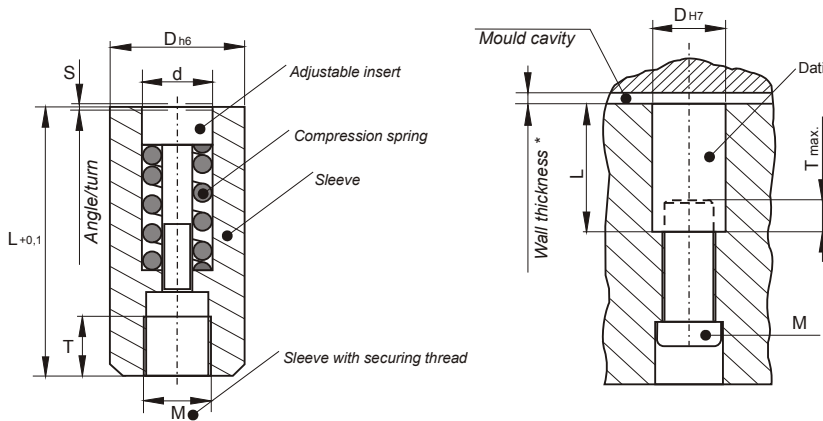
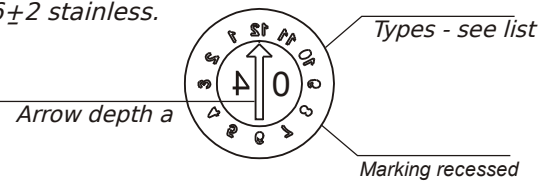
**ORDER FORM : A + Required engraving.**

# DATI 1000 STANDARD DATE STAMP

Identification stamp with fast changing system DATI 1000 with height adjustment

## DATI 1000 STANDARD

**Sleeve with identifier. Adjustable insert with an indicator arrow.**  
 The recessed indicator arrow is used as a screw slot for adjustment to change the insert.  
**Fastening thread. Compression spring for the infinite locking of the adjustable insert.**  
**Material for sleeve and adjustable insert: 1.4034, hardened HRC 56±2 stainless.**  
**Inscription laterally reversed.**



\* Adjust the wall thickness by adjusting angle S

Dimension table in mm.						
D	d	L	M	T	a	S
3	1,6	14	2	3	0,20	0,25
4	2,5	14	2	3	0,30	0,20
5	3,1	17	3	3	0,40	0,20
6	3,1	17	3	3	0,40	0,20
8	4,6	20	4	4	0,40	0,35
10	4,6	20	5	4	0,40	0,35
12	6,4	25	6	6	0,60	0,50
16	8,4	33	8	8	0,60	0,60

## FAST CHANGING SYSTEM



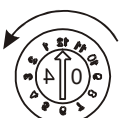
### To screw in insert:

- \* Turn clockwise
- \* Continue to turn as possible



### To adjust insert:

- \* Turn clockwise or counter-clockwise
- \* Check height adjustment



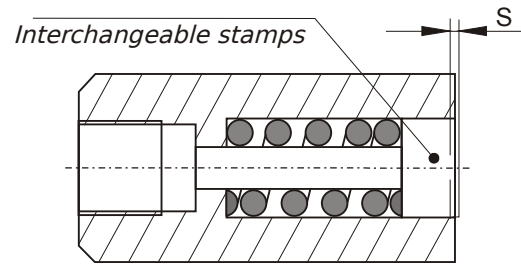
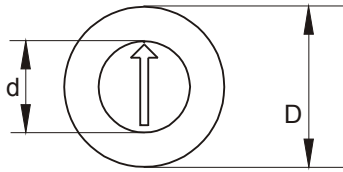
### To change insert:

- \* Turn continuously counter clockwise
- \* The insert will raise
- \* Remove adjustable insert

At the end of each year, the adjustable insert with year is changed is a matter of seconds by removing and screwing it in.

- Stop production, open mould..
- Change insert, set date.
- Continue production.
- Check setting on moulded part.

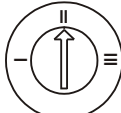
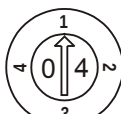



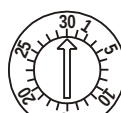


# DATI 1000 STANDARD DATE STAMP (Cont.)



<b>D</b>	<b>4</b>	<b>5</b>	<b>6</b>	<b>8</b>	<b>10</b>	<b>12</b>	<b>16 mm</b>
<b>d</b>	<b>2,5</b>	<b>3,1</b>	<b>3,1</b>	<b>4,6</b>	<b>4,6</b>	<b>6,4</b>	<b>8,4 mm</b>

Type	Indicator	D	Order form
<b>A</b> 	<b>Month + Year</b> (e.g. December 04)	3 4 5 6 8 10 12 16	A/3/Year A/4/Year A/5/Year A/6/Year A/8/Year A/10/Year A/12/Year A/16/Year
<b>B</b> 	<b>Months (e.g. December)</b> connected with type C (displays e.g. 12.04)	3 4 5 6 8 10 12 16	B/3/00 B/4/00 B/5/00 B/6/00 B/8/00 B/10/00 B/12/00 B/16/00
<b>C</b> 	<b>Year + 5 years</b> connected with type B (displays e.g. 12.04)	3 4 5 6 8 10 12 16	C/3/Year+5 C/4/Year+5 C/5/Year+5 C/6/Year+5 C/8/Year+5 C/10/Year+5 C/12/Year+5 C/16/Year+5
<b>CC</b> 	<b>Year + 11 years</b> connected with type B (displays e.g. 12.04)	3 4 5 6 8 10 12 16	CC/3/Year+11 CC/4/Year+11 CC/5/Year+11 CC/6/Year+11 CC/8/Year+11 CC/10/Year+11 CC/12/Year+11 CC/16/Year+11
<b>D E</b> 	<b>Week + Year</b> (e.g. Add up to Combination Numbers 30 + 5: calendar week 35 /04)	3 4 5 6 8 10 12 16	D+E/3/Year D+E/4/Year D+E/5/Year D+E/6/Year D+E/8/Year D+E/10/Year D+E/12/Year D+E/16/Year
<b>H I</b> 	<b>Days (e.g. 20 + 5 = 25)</b> connected with type A (displays e.g. 25.12.04)	3 4 5 6 8 10 12 16	H+I/3/00 H+I/4/00 H+I/5/00 H+I/6/00 H+I/8/00 H+I/10/00 H+I/12/00 H+I/16/00
<b>L E</b> 	<b>Days + Months + Year</b> (e.g. 25.05.04)	3 4 5 6 8 10 12 16	L+E/3/Year L+E/4/Year L+E/5/Year L+E/6/Year L+E/8/Year L+E/10/Year L+E/12/Year L+E/16/Year

# DATI 1000 STANDARD DATE STAMP (Cont.)

Type	Indicator	D	Order form
J 	<i>Shift numbers (e.g. 11 shift)</i>	3 4 5 6 8 10 12 16	J/3/00 J/4/00 J/5/00 J/6/00 J/8/00 J/10/00 J/12/00 J/16/00
K 	<i>Quarter + Year e.g. 1 quarter 04)</i>	3 4 5 6 8 10 12 16	K/3/Year K/4/Year K/5/Year K/6/Year K/8/Year K/10/Year K/12/Year K/16/Year
M 	<i>Identifier letters A - M (type M)</i>	3 4 5 6 8 10 12 16	M/3/00 M/4/00 M/5/00 M/6/00 M/8/00 M/10/00 M/12/00 M/16/00
N 	<i>Identifier letters N - Z (type N)</i>	3 4 5 6 8 10 12 16	N/3/00 N/4/00 N/5/00 N/6/00 N/8/00 N/10/00 N/12/00 N/16/00
R 	<i>Identification according To customers preference, e.g. material identification</i>	3 4 5 6 8 10 12 16	R/3/00 R/4/00 R/5/00 R/6/00 R/8/00 R/10/00 R/12/00 R/16/00
T 	<i>Days 1 - 31</i>	3 4 5 6 8 10 12 16	T/3/00 T/4/00 T/5/00 T/6/00 T/8/00 T/10/00 T/12/00 T/16/00
WT 	<i>Days 1 - 7</i>	3 4 5 6 8 10 12 16	WT/3/00 WT/4/00 WT/5/00 WT/6/00 WT/8/00 WT/10/00 WT/12/00 WT/16/00
Z 	<i>Without markings</i>	3 4 5 6 8 10 12 16	Z/3/00 Z/4/00 Z/5/00 Z/6/00 Z/8/00 Z/10/00 Z/12/00 Z/16/00



# IDENTIFICATION STAMP WITH FAST CHANGING SYSTEM MOUNTABLE FROM THE FRONT TOP DATI 1200 WITH HEIGHT ADJUSTMENT

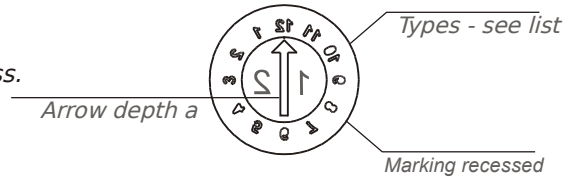
## DATI 1200 STANDARD

**Sleeve** with identifier.

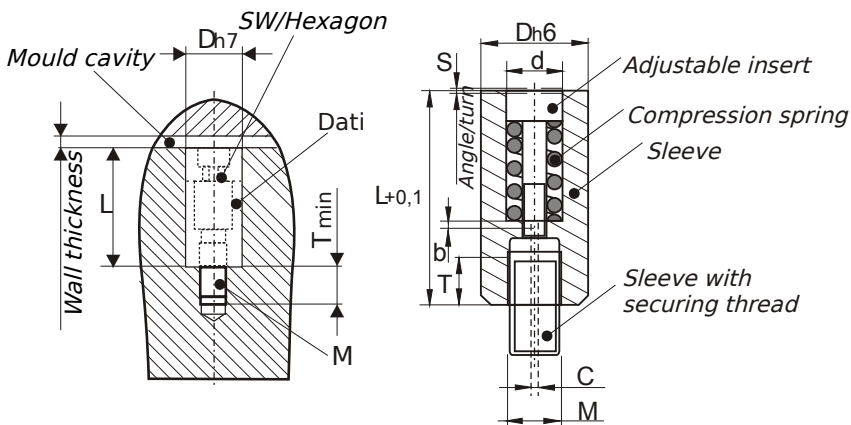
**Adjustable insert** with an indicator arrow. The recessed indicator arrow is used as a screw slot for adjustment and to change the insert.

**Secured** by a threaded pin Screw DATI, with a screw slot.  
Remove insert for this purpose.

**Material** for sleeve and insert: 1.4034, hardened HRC 56±2 stainless.



## Installation



Dimension table in mm.								
D	d	L	M	T	a	b	c	S
3	1,6	14	2	4	0,20	1,5	SW 1,3	0,25
4	2,5	14	2	4	0,30	1,5	SW 1,5	0,20
5	3,1	17	3	4	0,40	0,5	0,8	0,20
6	3,1	17	3	4	0,40	0,5	0,8	0,20
8	4,6	20	4	4	0,40	0,7	1,0	0,35
10	4,6	20	5	4	0,40	0,7	1,0	0,35
12	6,4	25	6	6	0,60	1	1,5	0,50
16	8,4	33	8	8	0,60	0,60	1,5	0,60

## FAST CHANGING SYSTEM



### To screw in insert:

- \* Turn clockwise
- \* Continue to turn as possible



### To adjust insert:

- \* Turn clockwise or counter-clockwise
- \* Check height adjustment



### To change insert:

- \* Turn continuously counter clockwise
- \* The insert will raise
- \* Remove adjustable insert

At the end of each year, the adjustable insert with year is changed is a matter of seconds by removing and screwing it in.

- Stop production, open mould..
- Change insert, set date.
- Continue production.
- Check setting on moulded part.

# IDENTIFICATION STAMP WITH FAST CHANGING SYSTEM WITHOUT HEIGHT ADJUSTMENT DATI 2000

## DATI 2000 STANDARD

**Sleeve with identifier.**

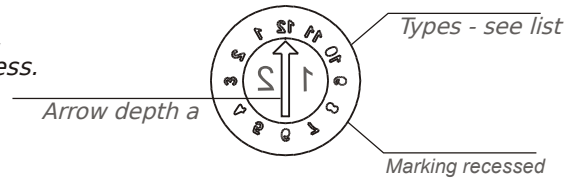
**Adjustable insert** with an indicator arrow. The recessed indicator arrow is used as a screw slot for adjustment the and to change the insert.

**Fastening thread.**

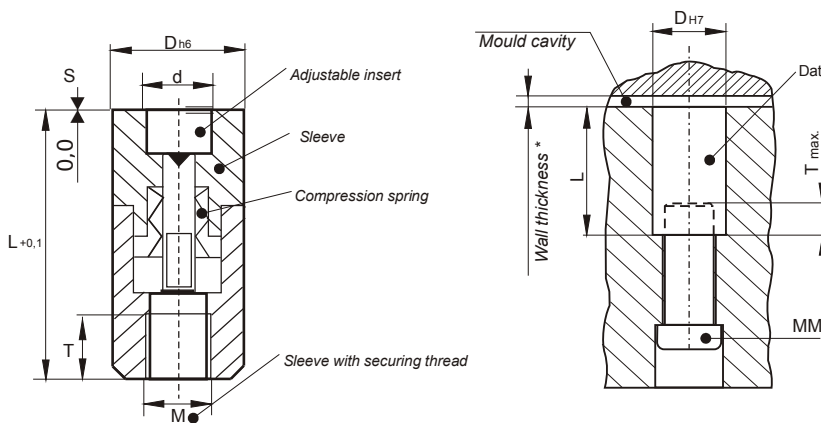
**Compression unit,** for the infinite locking of the adjustable insert.

**Material** for sleeve and insert: 1.4034, hardened HRC 56±2 stainless.

**Inscription** laterally reversed.



## Installation



Dimension table in mm.					
D	d	L	M	T	a
3	1,6	14	2	3	0,20
4	2,5	14	2	3	0,30
5	3,1	17	3	3	0,40
6	3,1	17	3	3	0,40
8	4,6	20	4	4	0,40
10	4,6	20	5	4	0,40
12	6,4	25	6	6	0,60
16	8,4	33	8	8	0,60

## FAST CHANGING SYSTEM

### To screw in insert:

- \* Turn clockwise
- \* Max. To end position
- \* Tenses automatically
- \* Tensioning range 3-5 turns



### To adjust insert:

- \* Turn clockwise or counter-clockwise
- \* Set desired position
- \* Re-clamp if necessary by turning clockwise



### To change insert:

- \* Turn continuously counter clockwise
- \* The insert will raise
- \* Remove adjustable insert

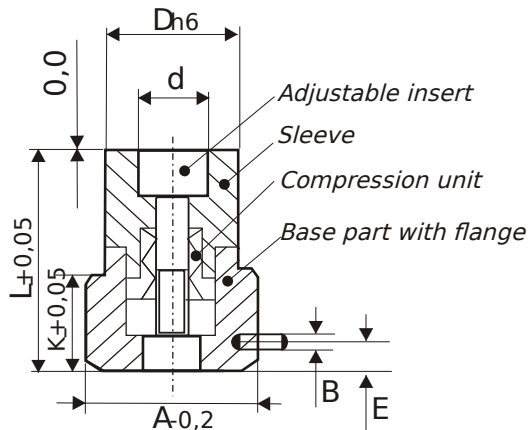


At the end of each year, the adjustable insert with year is changed is a matter of seconds by removing and screwing it in.

- Stop production, open mould..
- Change insert, set date.
- Continue production.
- Check setting on moulded part.

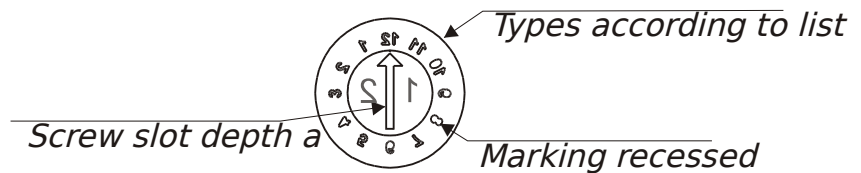
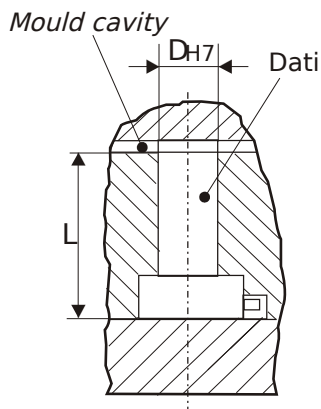
# IDENTIFICATION STAMP WITH FAST CHANGING SYSTEM WITHOUT HEIGHT ADJUSTMENT DATI 2100

## DESCRIPTION



- \* Sleeve with identifier.
- \* Adjustable insert with an indicator arrow  
The recessed indicator arrow is used as a screw slot for adjustment the and to change the insert.
- \* Compression unit, for the infinite locking of the adjustable insert.
- \* Material for sleeve and insert: 1.4034, hardened HRC 56+2 stainless.
- \* Inscription laterally reversed.

### Installation



**Dimension table in mm.**

D	d	A	L	K	E	B
6	3,1	10	14	5	1,5	1,5
8	4,6	12	17	6	1,5	1,5
12	6,4	20	22	10	2,5	2
16	8,4	23	27	11	2,5	2

## FAST CHANGING SYSTEM

### To screw in insert:

- \* Turn clockwise
- \* Max. To end position
- \* Tenses automatically
- \* Tensioning range 3-5 turns



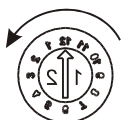
### To adjust insert:

- \* Turn clockwise or counter-clockwise
- \* Set desired position
- \* Re-clamp if necessary by turning clockwise



### To change insert:

- \* Turn continuously counter clockwise
- \* The insert will raise
- \* Remove adjustable insert



At the end of each year, the adjustable insert with year is changed is a matter of seconds by removing and screwing it in.

- Stop production, open mould..
- Change insert, set date.
- Continue production.
- Check setting on moulded part.

# IDENTIFICATION STAMP WITH FAST CHANGING SYSTEM WITHOUT HEIGHT ADJUSTMENT DATI 2200

## DATI 2200 STANDARD

**Sleeve** with identifier.

**Adjustable insert** with an indicator arrow.

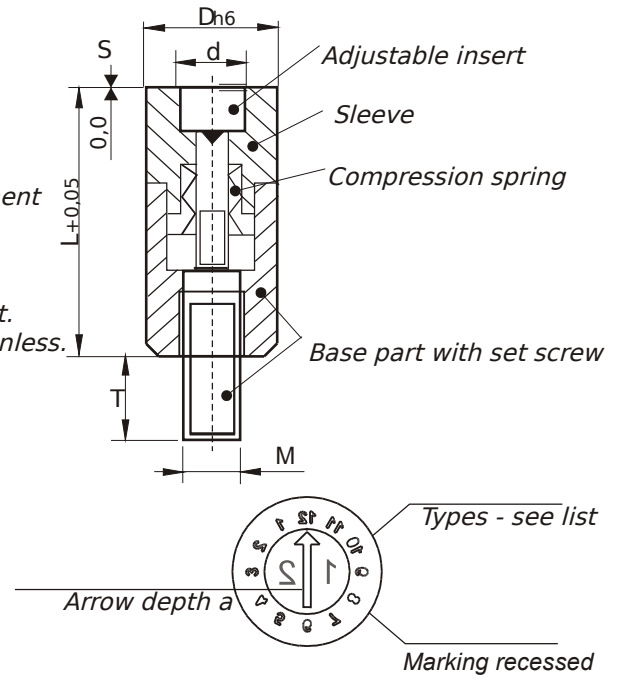
**The recessed** indicator arrow is used as a screw slot for adjustment and to change the insert.

**Fitting** with setscrew.

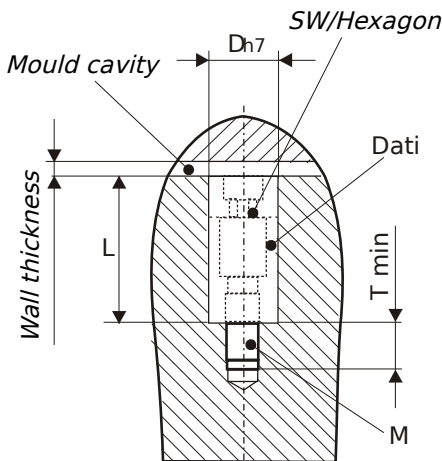
**Screw** in DATI with Allen screw hexagon. Remove insert for this.

**Compression** unit, for the infinite locking of the adjustable insert.

**Material** for sleeve and insert: 1.4034, hardened HRC 56±2 stainless.



## Installation



Dimension table in mm.						
D	d	L	M	T	a	SW
3	1,6	14	2	4	0,20	1,3
4	2,5	14	2	4	0,30	1,5
5	3,1	17	3	4	0,40	2
6	3,1	17	3	4	0,40	2
8	4,6	20	4	4	0,40	3
10	4,6	20	5	4	0,40	3
12	6,4	25	6	6	0,60	4
16	8,4	33	8	8	0,60	4

## FAST CHANGING SYSTEM

### To screw in insert:

- \* Turn clockwise.
- \* Max. to end position.
- \* Tenses automatically.
- \* Tensioning range 3-5 turns.



### To adjust insert:

- \* Turn clockwise or counter-clockwise.
- \* Set desired position.
- \* Re-clamp if necessary by turning clockwise.



### To change insert:

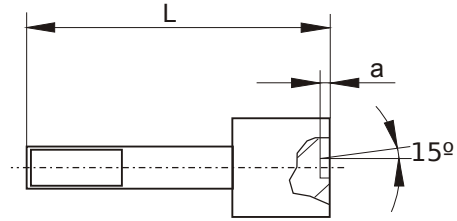
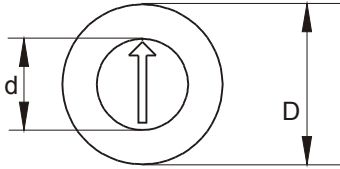
- \* Turn continuously counter-clock-wise.
- \* The insert will raise remove insert.



At the end of each year, the adjustable insert with year is changed is a matter of seconds by removing and screwing it in.

- Stop production, open mould..
- Change insert, set date.
- Continue production.
- Check setting on moulded part.

# INSERTS COMPATIBLE WITH DATI 1000/1200/2000/2100/2200

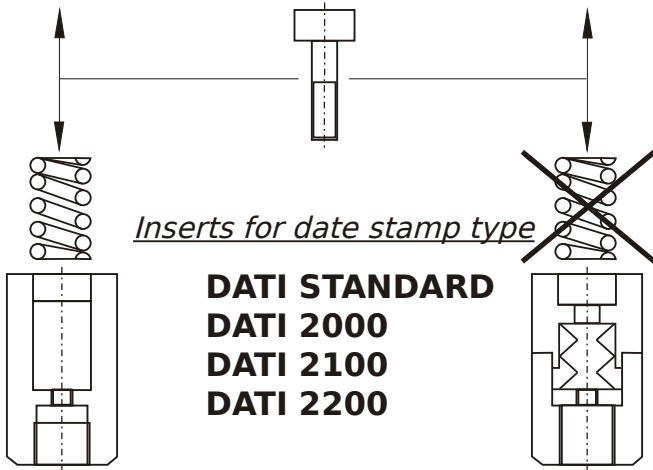


Material: 1.4034, hardened HRC 56±2 stainless steel

## DATI STANDARD 1000 - 1200 - 2000 - 2100 - 2200

In the STANDARD series  
adjust the insert with the spring!

In the series 2000/2100/2200 adjust the  
insert without the spring!



All inserts are supplied with spring!

Dimension table in mm.

D	d	L	a
3	1,6	9	0,25
4	2.5	10.5	0,30
5	3.1	13	0,40
6	3.1	13	0,40
8	4.6	14	0,40
10	4.6	14	0,40
12	6.4	17	0,60
16	6.4	23	0,60

Type	Indicator	D	Order form
F 	Insert with arrow + year	3 4 5 6 8 10 12 16	F/3/Year F/4/Year F/5/Year F/6/Year F/8/Year F/10/Year F/12/Year F/16/Year
G 	Insert with an arrow without year	3 4 5 6 8 10 12 16	G/3/00 G/4/00 G/5/00 G/6/00 G/8/00 G/10/00 G/12/00 G/16/00
O 	Insert according to customer preference with numbers and/or letters	3 4 5 6 8 10 12 16	O/3/Number O/4/Number O/5/Number O/6/Number O/8/Number O/10/Number O/12/Number O/16/Number

# IDENTIFICATION STAMP WITH FAST CHANGING SYSTEM, SHORT VERSION DATI 1300 FOR PRESS IN THE MOULD WITHOUT FASTENING THREAD WITH HEIGHT ADJUSTMENT

## DATI 1300 STANDARD

**Sleeve** with identifier.

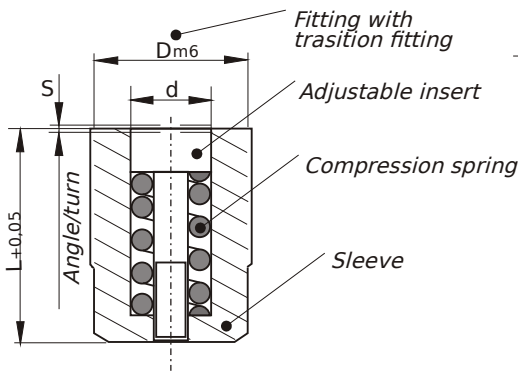
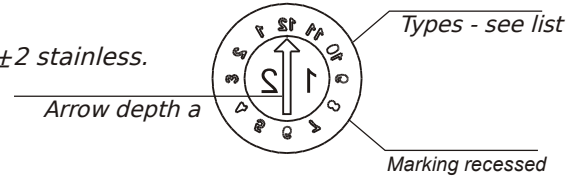
**Adjustable insert** with an indicator arrow. The recessed indicator arrow is used as a screw slot for adjustment to change the insert.

**Compression spring** for the infinite locking of the adjustable insert.

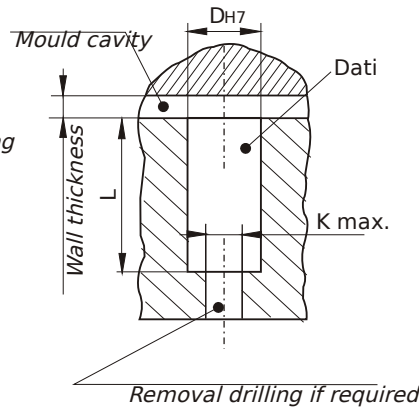
**Material** for sleeve and adjustable insert: 1.4034, hardened HRC 56±2 stainless.

**Inscription** laterally reversed.

**No-screw fitting**



## Installation



Dimension table in mm.

D	d	L	a	S	K
2,6	1,4	4	0,25	0,20	1,5
2,8	1,4	4	0,25	0,20	1,5
3	1,5	4	0,25	0,20	1,6
3,5	1,8	5	0,25	0,25	1,8
4	2,1	5	0,30	0,25	2,2
5	3,1	8	0,40	0,20	3,2
6	3,1	8	0,40	0,20	3,2
8	4,4	10	0,40	0,25	4,2
10	5,2	12	0,40	0,35	5,2
12	6,2	14	0,60	0,35	6,2
16	8,2	14	0,60	0,35	8,2

## FAST CHANGING SYSTEM



**To screw in insert:**

- \* Turn clockwise
- \* Continue to turn as possible



**To adjust insert:**

- \* Turn clockwise or counter-clockwise
- \* Check height adjustment



**To change insert:**

- \* Turn continuously counter clockwise
- \* The insert will raise
- \* Remove adjustable insert

At the end of each year, the adjustable insert with year is changed is a matter of seconds by removing and screwing it in.

- Stop production, open mould..
- Change insert, set date.
- Continue production.
- Check setting on moulded part.

# IDENTIFICATION STAMP WITH FAST CHANGING SYSTEM, SHORT VERSION WITH FASTENING THREAD DATI 1400 WITH HEIGHT ADJUSTMENT

## DATI 1400 STANDARD

**Sleeve** with identifier.

**Adjustable insert** with an indicator arrow.

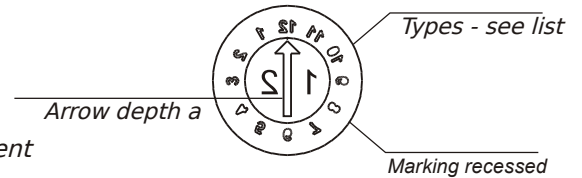
**The recessed** indicator arrow is used as a screw slot for adjustment to change the insert.

**Fastening thread.**

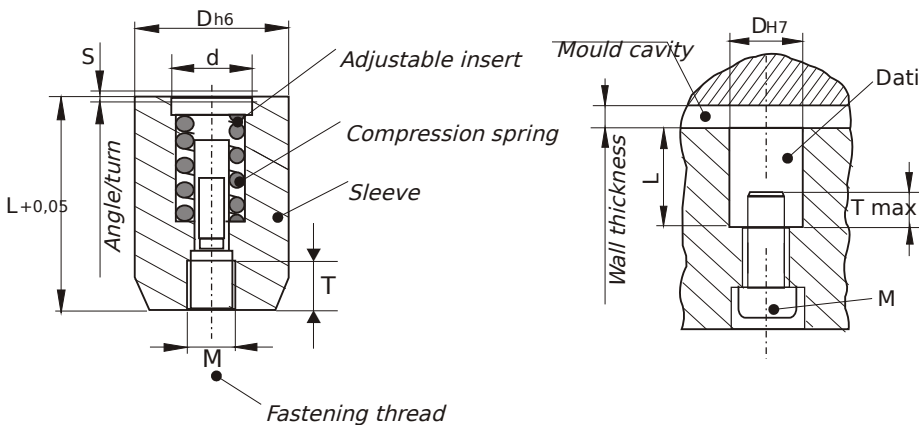
**Compression spring** for the infinite locking of the adjustable insert.

**Material** for sleeve and adjustable insert: 1.4034, hardened HRC 56±2 stainless.

**Inscription** laterally reversed.



### Installation



Dimension table in mm.						
D	d	L	M	T	a	S
2,6	1,4	7	1,6	2	0,20	0,20
2,8	1,4	7	1,6	2	0,20	0,20
3	1,5	7	2	2	0,20	0,20
3,5	1,8	8	2	2	0,20	0,25
4	2,1	8	2	2	0,30	0,25
5	3,1	12	3	3	0,40	0,20
6	3,1	12	3	3	0,40	0,20
8	4,4	14	4	3	0,40	0,25
10	5,2	16	4	3	0,40	0,35
12	6,2	20	5	4	0,60	0,35
16	8,2	20	5	4	0,60	0,35

### FAST CHANGING SYSTEM



**To screw in insert:**

\* Turn clockwise

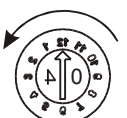
\* Continue to turn as possible



**To adjust insert:**

\* Turn clockwise or counter-clockwise

\* Check height adjustment



**To change insert:**

\* Turn continuously counter clockwise

\* The insert will raise

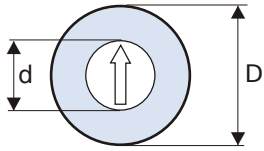
\* Remove adjustable insert

At the end of each year, the adjustable insert with year is changed is a matter of seconds by removing and screwing it in.

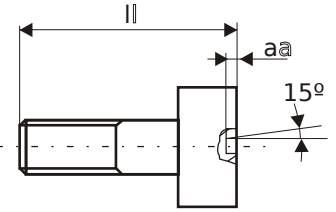
- Stop production, open mould..
- Change insert, set date.
- Continue production.
- Check setting on moulded part.

# INSERTS

## COMPATIBLE WITH DATI 1400 / 1300 / 1800



Dimension table in mm.												
D	2,6	2,8	3	3,5	4	5	6	8	10	12	16	mm
d	1,4	1,4	1,5	1,8	2,1	3,1	3,1	4,4	5,2	6,2	8,2	mm
L	3,8	3,8	3,8	4,8	4,8	7,8	7,8	9,8	11,8	13,8	13,8	mm
a	0,2	0,2	0,2	0,2	0,3	0,4	0,4	0,4	0,4	0,6	0,6	mm



**MATERIAL: 1.4034 hardened HRC 56±2 stainless**

Adjustable insert  
are delivered with  
compression  
springs.

### INSERTS COMPATIBLE WITH DATI 1400

Type	F	G	O
Indicator	Insert with arrow + year	Insert with arrow without year	Insert according to customer preference with numbers and or letters.
D	Order n°	Order n°	Order n°
2,6	F/1402,6/Year	G/1402,6/00	O/1402,6/Symbol
2,8	F/1402,8/Year	G/1402,8/00	O/1402,8/Symbol
3	F/1403/Year	G/1403/00	O/1403/Symbol
3,5	F/1403,5/Year	G/1403,5/00	O/1403,5/Symbol
4	F/1404/Year	G/1404/00	O/1404/Symbol
5	F/1405/Year	G/1405/00	O/1405/Symbol
6	F/1406/Year	G/1406/00	O/1406/Symbol
8	F/1408/Year	G/1408/00	O/1408/Symbol
10	F/1410/Year	G/1410/00	O/1410/Symbol
12	F/1412/Year	G/1412/00	O/1412/Symbol
16	F/1416/Year	G/1416/00	O/1416/Symbol



# IDENTIFICATION STAMP WITH FAST CHANGING SYSTEM SHORT VERSION DATI 1800 WITH SCREWABLE FASTENING THAT CAN BE FASTEN DIRECTLY TO THE MOULD WITH HEIGHT ADJUSTMENT

## Description

**Sleeve** with identifier.

**Adjustable insert** with an indicator arrow.

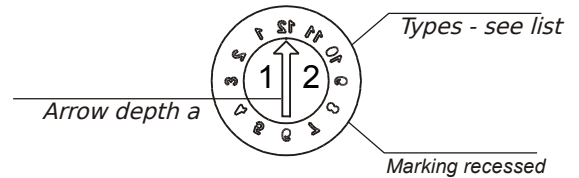
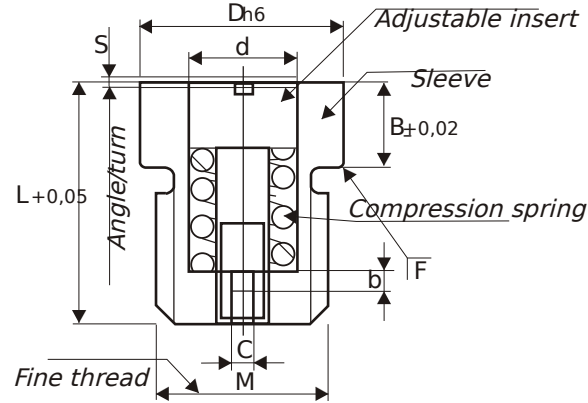
**The recessed** indicator arrow is used as a screw slot for adjustment to change the insert.

**Compression** spring for the infinite locking of the adjustable insert.

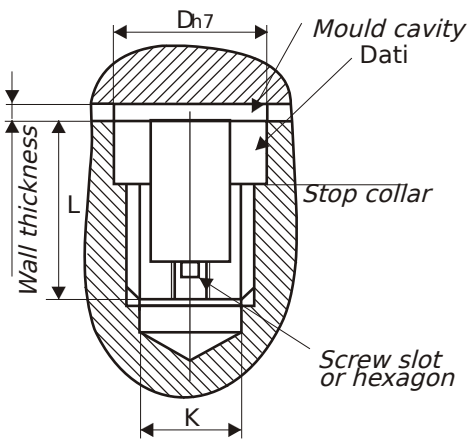
**Material** for sleeve and adjustable insert: 1.4034, hardened HRC 56±2 stainless.

**Inscription** laterally reversed.

**The fitting** is done using the random threading of the sleeve.



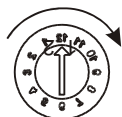
## Installation



Dimension table in mm.					
D	d	L	B	M	K
3	1,5	4	1,8	2,5x0,35	2,2
3,5	1,5	5	2	3x0,35	2,7
4	2,1	5	2	3,5x0,35	3,2
5	3,1	8	2	4,5x0,5	4,1
6	3,1	8	2	5x0,5	4,6
8	4,4	10	3	6x0,5	5,6
10	5,2	12	3	8x0,75	7,4
12	6,2	14	4	10x0,75	9,4
16	8,2	14	5	12x1	11

Dimension table in mm.					
D	F	a	S	b	c
3	0,1	0,2	0,2	0,4	0,3
3,5	0,1	0,2	0,25	0,5	0,4
4	0,1	0,3	0,25	0,5	0,4
5	0,1	0,4	0,2	0,5	0,6
6	0,1	0,4	0,2	0,5	0,6
8	0,15	0,4	0,25	0,7	0,8
10	0,2	0,4	0,35	0,7	1
12	0,3	0,6	0,35	1	1,2
16	0,3	0,6	0,35	1	1,2

## FAST CHANGING SYSTEM



**To screw in insert:**

- \* Turn clockwise
- \* Continue to turn as possible



**To adjust insert:**

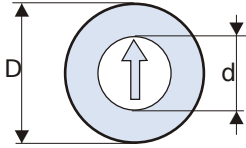
- \* Turn clockwise or counter-clockwise
- \* Check height adjustment



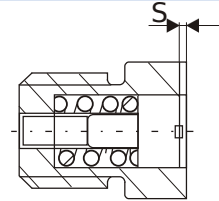
**To change insert:**

- \* Turn continuously counter clockwise
- \* The insert will raise
- \* Remove adjustable insert

# IDENTIFICATION STAMP WITH FAST CHANGING SYSTEM SHORT VERSION DATI 1800 WITH SCREWABLE FASTENING THAT CAN BE FASTEN DIRECTLY TO THE MOULD WITH HEIGHT ADJUSTMENT (Cont. )



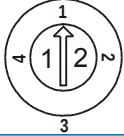



Dimension table in mm.										
D	3	3,5	4	5	6	8	10	12	16	mm
d	1,5	1,8	2,1	3,1	3,1	4,4	5,2	6,2	8,2	mm
L	4	5	5	8	8	10	12	14	14	mm

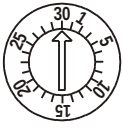
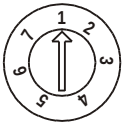
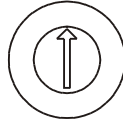


Type	A	B	C	CC
<b>Indicator</b>				
	Months + Year (e.g. December 12)	Months (e.g. December) connected with type C (displays e.g. 12.12)	Year + 5 years connected with type B (displays e.g. 12.12)	Year + 11 years connected with type B (displays e.g. 12.12)
<b>D</b>	<b>Order n°</b>	<b>Order n°</b>	<b>Order n°</b>	<b>Order n°</b>
3	A/1803/Year	B/1803/00	C/1803/Year+5	CC/1803/Year+11
3,5	A/1803,5/Year	B/1803,5/00	C/1803,5/Year+5	CC/1803,5/Year+11
4	A/1804/Year	B/1804/00	C/1804/Year+5	CC/1804/Year+11
5	A/1805/Year	B/1805/00	C/1805/Year+5	CC/1805/Year+11
6	A/1806/Year	B/1806/00	C/1806/Year+5	CC/1806/Year+11
8	A/1808/Year	B/1808/00	C/1808/Year+5	CC/1808/Year+11
10	A/1810/Year	B/1810/00	C/1810/Year+5	CC/1810/Year+11
12	A/1812/Year	B/1812/00	C/1812/Year+5	CC/1812/Year+11
16	A/1816/Year	B/1816/00	C/1816/Year+5	CC/1816/Year+11

Type	D+E	H+I	L+E	J
<b>Indicator</b>				
	Week + Year (e.g. Add up to combination numbers 30 + 5; calendar week 35/12)	Days (e.g. 20 + 5 = 25) connected with type A (displays e.g. 25.12.12)	Days + Month + Year (e.g. 26.12.12)	Shift numbers (e.g. 11 shift)
<b>D</b>	<b>Order n°</b>	<b>Order n°</b>	<b>Order n°</b>	<b>Order n°</b>
3	D+E/1803/Year	H+I/1803/00	L+E/1803/Year	J/1803/00
3,5	D+E/1803,5/Year	H+I/1803,5/00	L+E/1803,5/Year	J/1803,5/00
4	D+E/1804/Year	H+I/1804/00	L+E/1804/Year	J/1804/00
5	D+E/1805/Year	H+I/1805/00	L+E/1805/Year	J/1805/00
6	D+E/1806/Year	H+I/1806/00	L+E/1806/Year	J/1806/00
8	D+E/1808/Year	H+I/1808/00	L+E/1808/Year	J/1808/00
10	D+E/1810/Year	H+I/1810/00	L+E/1810/Year	J/1810/00
12	D+E/1812/Year	H+I/1812/00	L+E/1812/Year	J/1812/00
16	D+E/1816/Year	H+I/1816/00	L+E/1816/Year	J/1816/00

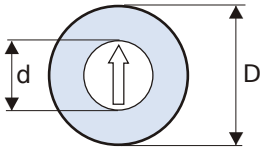
**IDENTIFICATION STAMP WITH FAST CHANGING SYSTEM  
SHORT VERSION DATI 1800 WITH SCREWABLE FASTENING  
THAT CAN BE FASTEN DIRECTLY TO THE MOULD  
WITH HEIGHT ADJUSTMENT (Cont. )**

Type	K	M	N	R
				
Indicator	Quarter + Year e.g. 1 quarter 12)	Identifier letters A - M (type M)	Identifier letters N - Z (type N)	Identification according to customers Preference, e.g. material identification
D	<b>Order n°</b>	<b>Order n°</b>	<b>Order n°</b>	<b>Order n°</b>
3	K/1803/Year	M/1803/00	N/1803/00	R/1803/Symbol
3,5	K/1803,5/Year	M/1803,5/00	N/1803,5/00	R/1803,5/Symbol
4	K/1804/Year	M/1804/00	N/1804/00	R/1804/Symbol
5	K/1805/Year	M/1805/00	N/1805/00	R/1805/Symbol
6	K/1806/Year	M/1806/00	N/1806/00	R/1806/Symbol
8	K/1808/Year	M/1808/00	N/1808/00	R/1808/Symbol
10	K/1810/Year	M/1810/00	N/1810/00	R/1810/Symbol
12	K/1812/Year	M/1812/00	N/1812/00	R/1812/Symbol
16	K/1816/Year	M/1816/00	N/1816/00	R/1816/Symbol

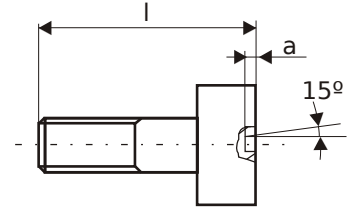
Type	T	WT	Z
			
Indicator	Days 1 - 31	Days 1 - 7	Without markings
D	<b>Order n°</b>	<b>Order n°</b>	<b>Order n°</b>
3	T/1803/00	WT/1803/00	Z/1803/00
3,5	T/1803,5/00	WT/1803,5/00	Z/1803,5/00
4	T/1804/00	WT/1804/00	Z/1804/00
5	T/1805/00	WT/1805/00	Z/1805/00
6	T/1806/00	WT/1806/00	Z/1806/00
8	T/1808/00	WT/1808/00	Z/1808/00
10	T/1810/00	WT/1810/00	Z/1810/00
12	T/1812/00	WT/1812/00	Z/1812/00
16	T/1816/00	WT/1816/00	Z/1816/00

# INSERTS

## COMPATIBLE WITH DATI 1800 / 1300 / 1400



Dimension table in mm.										
D	3	3,5	4	5	6	8	10	12	16	mm
d	1,5	1,8	2,1	3,1	3,1	4,4	5,2	6,2	8,2	mm
L	3,8	4,8	4,8	7,8	7,8	9,8	11,8	13,8	13,8	mm
a	0,2	0,2	0,3	0,4	0,4	0,4	0,4	0,6	0,6	mm



**MATERIAL: 1.4034 hardened HRC 56±2 stainless**



### INSERTS COMPATIBLE WITH DATI 1800

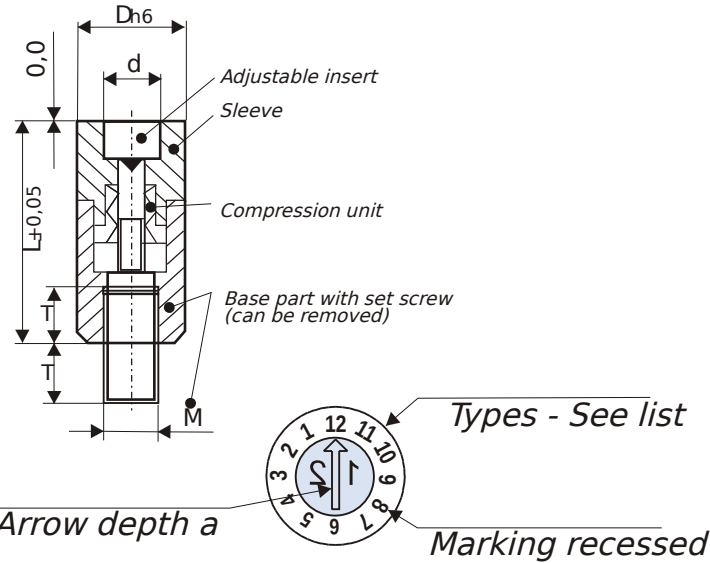
Type	F	G	O
Indicator	Insert with arrow + year	Insert with arrow without year	Insert according to customer preference with numbers and or letters.
D	<b>Order n°</b>	<b>Order n°</b>	<b>Order n°</b>
3	F/1803/Year	G/1803/00	O/1803/Symbol
3,5	F/1803,5/Year	G/1803,5/00	O/1803,5/Symbol
4	F/1804/Year	G/1804/00	O/1804/Symbol
5	F/1805/Year	G/1805/00	O/1805/Symbol
6	F/1806/Year	G/1806/00	O/1806/Symbol
8	F/1808/Year	G/1808/00	O/1808/Symbol
10	F/1810/Year	G/1810/00	O/1810/Symbol
12	F/1812/Year	G/1812/00	O/1812/Symbol
16	F/1816/Year	G/1816/00	O/1816/Symbol

# IDENTIFICATION STAMP WITH INDIVIDUAL LOCKING ON EACH POSITION AND FAST CHANGING SYSTEM WITHOUT HEIGHT ADJUSTMENT DATI 2900

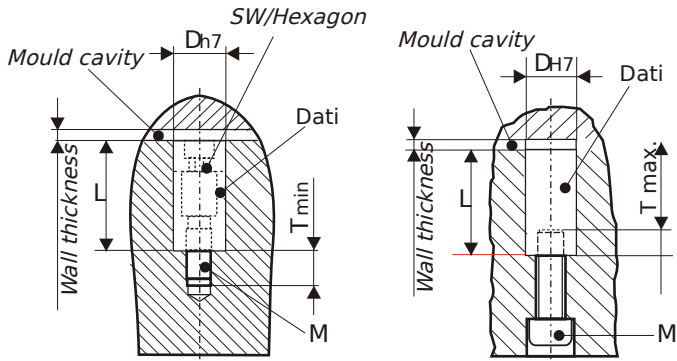
## DESCRIPTION

- \* Sleeve with identifier.
- \* Adjustable insert with an indicator arrow. This arrow is used as screw slot for the adjustment and for fast changing of insert.
- \* Fastening thread.
- \* Clamping unit, for the infinite locking of the adjustable insert.
- \* Material 1.4034, hardened HRC 56±2 stainless.
- \* Marking laterally reversed.

**NEW**

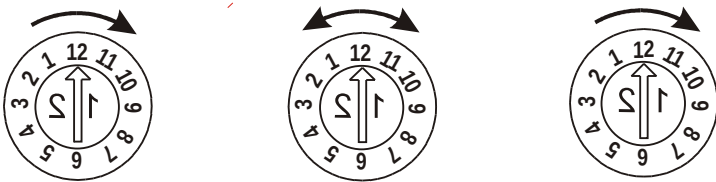


## Installation



Dimension table in mm.						
D	d	L	M	T	a	SW
3	1,6	14	2	3	0,20	1,3
4	2,5	14	2	3	0,30	1,5
5	3,1	17	3	3	0,40	2
6	4,2	17	3	3	0,40	2,5
8	5,8	20	4	4	0,40	3
10	7,0	20	5	4	0,40	3
12	8,5	25	6	6	0,60	4
16	11,5	33	8	8	0,60	5

## FAST CHANGING SYSTEM



- To screw in insert:**
- \* Turn clockwise.
  - \* Max. to end position.
  - \* Tenses automatically.
  - \* Tensioning range 3-5 turns.

- To adjust insert:**
- \* Turn clockwise or counter-clockwise.
  - \* Set desired position.
  - \* Re-clamp if necessary by turning clockwise.

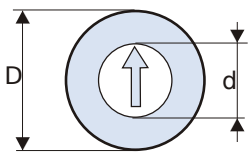
- To change insert:**
- \* Turn continuously counter-clockwise.
  - \* The insert will raise remove insert.

At the end of each year, the adjustable insert with year is changed is a matter of seconds by removing and screwing it in.

- Stop production, open mould..
- Change insert, set date.
- Continue production.
- Check setting on moulded part.

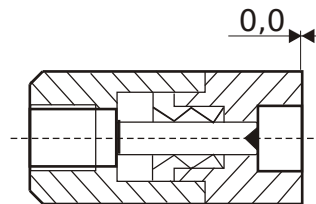
# IDENTIFICATION STAMP WITH INDIVIDUAL LOCKING ON EACH POSITION AND FAST CHANGING SYSTEM WITHOUT HEIGHT ADJUSTMENT

## DATI 2900 (CONT.)



Dimension table in mm.

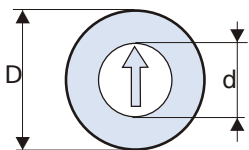
D	3	4	5	6	8	10	12	16	mm
d	1,6	2,5	3,1	3,1	4,6	4,6	6,4	8,4	mm
L	14	14	17	17	20	20	25	33	mm
M	2	2	3	3	4	5	6	8	mm



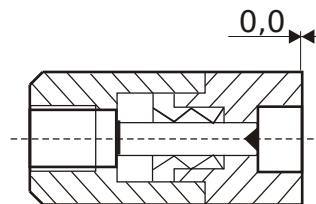
Type	A	B	C	CC
Indicator	<p>Months + Year (e.g. December 12)</p>	<p>Months(e.g. December) connected with type C (displays e.g. 12.12)</p>	<p>Year + 5 years connected with type B (displays e.g. 12.12)</p> <p>6 years</p>	<p>Year + 11 years connected with type B (displays e.g. 12.12)</p> <p>12 years</p>
D	Order n°	Order n°	Order n°	Order n°
3	A/2903/Year	B/2903/00	C/2903/Year+5	CC/2903/Year+11
4	A/2904/Year	B/2904/00	C/2904/Year+5	CC/2904/Year+11
5	A/2905/Year	B/2905/00	C/2905/Year+5	CC/2905/Year+11
6	A/2906/Year	B/2906/00	C/2906/Year+5	CC/2906/Year+11
8	A/2908/Year	B/2908/00	C/2908/Year+5	CC/2908/Year+11
10	A/2910/Year	B/2910/00	C/2910/Year+5	CC/2910/Year+11
12	A/2912/Year	B/2912/00	C/2912/Year+5	CC/2912/Year+11
16	A/2916/Year	B/2916/00	C/2916/Year+5	CC/2916/Year+11

Type	D+E	H+I	L+E	J
Indicator	<p>Week + Year (e.g. Add up to combination Numbers 30 + 5: calendar week 35 /12)</p>	<p>Days (e.g. 20 + 9 = 29) connected with type A (displays e.g. 29.12.12)</p>	<p>Days + Month + Year (e.g. 20.07.12)</p> <p>months 01...12</p>	<p>Shift numbers (e.g. II shift)</p>
D	Order n°	Order n°	Order n°	Order n°
3	D+E/2903/Year	H+I/2903/00	L+E/2903/Year	J/2903/00
4	D+E/2904/Year	H+I/2904/00	L+E/2904/Year	J/2903/00
5	D+E/2905/Year	H+I/2905/00	L+E/2905/Year	J/2903/00
6	D+E/2906/Year	H+I/2906/00	L+E/2906/Year	J/2903/00
8	D+E/2908/Year	H+I/2908/00	L+E/2908/Year	J/2903/00
10	D+E/2910/Year	H+I/2910/00	L+E/2910/Year	J/2903/00
12	D+E/2912/Year	H+I/2912/00	L+E/2912/Year	J/2903/00
16	D+E/2916/Year	H+I/2916/00	L+E/2916/Year	J/2903/00

# IDENTIFICATION STAMP WITH INDIVIDUAL LOCKING ON EACH POSITION AND FAST CHANGING SYSTEM WITHOUT HEIGHT ADJUSTMENT DATI 2900 (CONT.)



Dimension table in mm.									
D	3	4	5	6	8	10	12	16	mm
d	1,6	2,5	3,1	3,1	4,6	4,6	6,4	8,4	mm
L	14	14	17	17	20	20	25	33	mm
M	2	2	3	3	4	5	6	8	mm



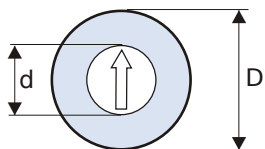
Type	K	M	N	R
<b>Indicator</b>	Quarter + Year e.g. 1 quarter 12)	Identifier letters A - M (type M)	Identifier letters N - X (type N)	Identification according to customers preference, e.g. material identification
<b>D</b>	<b>Order n°</b>	<b>Order n°</b>	<b>Order n°</b>	<b>Order n°</b>
<b>3</b>	K/2903/Year	M/2903/00	N/2903/00	R/2903/Symbol
<b>4</b>	K/2904/Year	M/2904/00	N/2904/00	R/2904/Symbol
<b>5</b>	K/2905/Year	M/2905/00	N/2905/00	R/2905/Symbol
<b>6</b>	K/2906/Year	M/2906/00	N/2906/00	R/2906/Symbol
<b>8</b>	K/2908/Year	M/2908/00	N/2908/00	R/2908/Symbol
<b>10</b>	K/2910/Year	M/2910/00	N/2910/00	R/2910/Symbol
<b>12</b>	K/2912/Year	M/2912/00	N/2912/00	R/2912/Symbol
<b>16</b>	K/2916/Year	M/2916/00	N/2916/00	R/2916/Symbol

Type	Z
<b>Indicator</b>	Without markings
<b>D</b>	<b>Order n°</b>
<b>3</b>	Z/2903/00
<b>4</b>	Z/2904/00
<b>5</b>	Z/2905/00
<b>6</b>	Z/2906/00
<b>8</b>	Z/2908/00
<b>10</b>	Z/2910/00
<b>12</b>	Z/2912/00
<b>16</b>	Z/2916/00



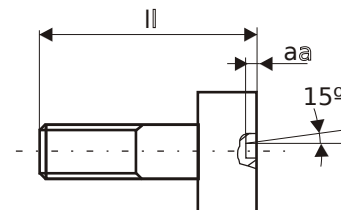
# INSERTS COMPATIBLE WITH DATI 2900

**NEW**



**Dimension table in mm.**

D	3	4	5	6	8	10	12	16	mm
d	1,6	2,5	3,1	3,1	4,6	4,6	6,4	8,4	mm
L	9	10,5	13	13	14	14	17	23	mm
a	0,20	0,30	0,40	0,40	0,40	0,40	0,60	0,60	mm



**MATERIAL: 1.4034 hardened HRC 56±2 stainless**

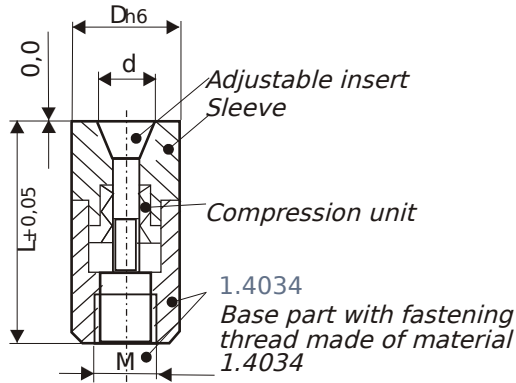
## INSERTS FOR DATI 2900

Type	F	G	O
Indicator	Insert with arrow + year	Insert with arrow without year	Insert according to customer preference with numbers and or letters.
D	Order n°	Order n°	Order n°
3	F/2903/Year	G/2903/00	O/2903/Symbol
4	F/2904/Year	G/2904/00	O/2904/Symbol
5	F/2905/Year	G/2905/00	O/2905/Symbol
6	F/2906/Year	G/2906/00	O/2906/Symbol
8	F/2908/Year	G/2908/00	O/2908/Symbol
10	F/2910/Year	G/2910/00	O/2910/Symbol
12	F/2912/Year	G/2912/00	O/2912/Symbol
16	F/2916/Year	G/2916/00	O/2916/Symbol



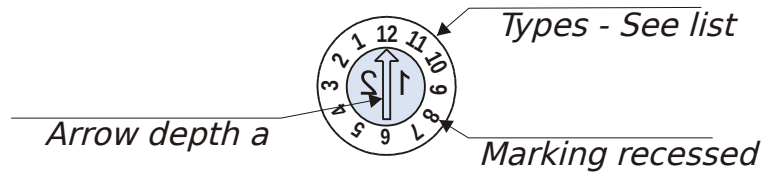
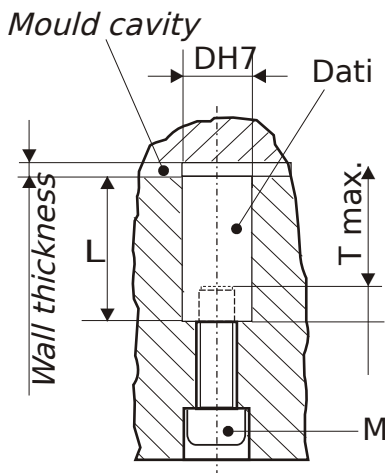
# DATI 5000 IDENTIFICATION STAMP WITH FAST CHANGING SYSTEM WITHOUT HEIGHT ADJUSTMENT WITH TAPERED INSERT

## DESCRIPTION



- \* **Sleeve with identifier.**
- \* **Adjustable insert with an indicator arrow.**  
The recessed indicator arrow is used as screw slot for adjustment and to change the insert.
- \* **Fastening thread.**
- \* **Compression spring, for the infinite locking of the adjustable insert.**
- \* **Material for sleeve and adjustable insert: 1.4034, hardened HRC 54-56.**

## Installation



Dimension table in mm.

D	d	L	M	T	a
4	2,5	14	2	3	0,30
5	3,1	17	3	3,5	0,50
6	3,1	17	3	3,5	0,50
8	4,6	20	4	4	0,60
10	4,6	20	5	4	0,60
12	6,4	25	6	6	0,80
16	8,4	33	8	8	0,80

## FAST CHANGING SYSTEM



### To screw in insert:

- \* Turn clockwise.
- \* Max. to end position.
- \* Tenses automatically.
- \* Tensioning range 3-5 turns.



### To adjust insert:

- \* Turn clockwise or counter-clockwise.
- \* Set desired position.
- \* Re-clamp if necessary by turning clockwise.



### To change insert:

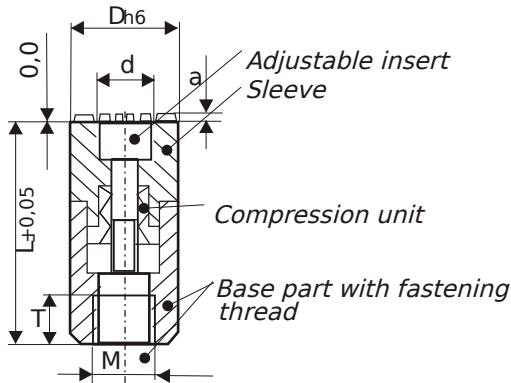
- \* Turn continuously counter-clock-wise.
- \* The insert will raise remove insert.

At the end of each year, the adjustable insert with year is changed is a matter of seconds by removing and screwing it in.

- Stop production, open mould..
- Change insert, set date.
- Continue production.
- Check setting on moulded part.

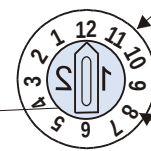
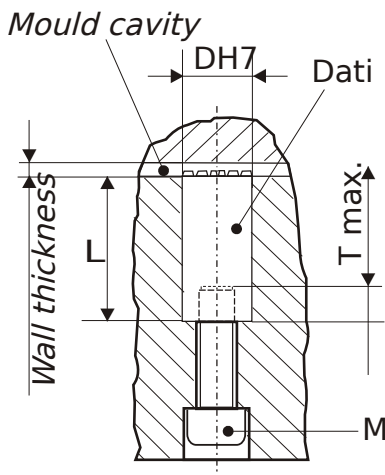
# DATI 6000 IDENTIFICATION STAMP WITH FAST CHANGING SYSTEM WITHOUT HEIGHT ADJUSTMENT -RAISED

## DESCRIPTION



- \* Sleeve with raised identification.
- \* Adjustable insert with an indicator arrow. The recessed screw slot with raised indicator arrow is used for adjustment and change the insert.
- \* Fastening thread.
- \* Compression unit, for the infinite locking of the adjustable insert.
- \* Material for sleeve and insert: 1.4034, hardened HRC  $56 \pm 2$  stainless.
- \* Inscription laterally reversed and raised.

## Installation



Types - See list

Arrow depth  $a$

Marking raised

Dimension table in mm.

D	d	L	M	T	a
4	2,5	13,80	2	3	0,20
5	3,1	16,75	3	3	0,25
6	3,1	16,75	3	3	0,25
8	4,6	19,70	4	4	0,30
10	4,6	19,70	5	4	0,30
12	6,4	24,70	6	6	0,30
16	8,4	32,70	8	8	0,30

## FAST CHANGING SYSTEM



### To screw in insert:

- \* Turn clockwise.
- \* Max. to end position.
- \* Tenses automatically.
- \* Tensioning range 3-5 turns.



### To adjust insert:

- \* Turn clockwise or counter-clockwise.
- \* Set desired position.
- \* Re-clamp if necessary by turning clockwise.



### To change insert:

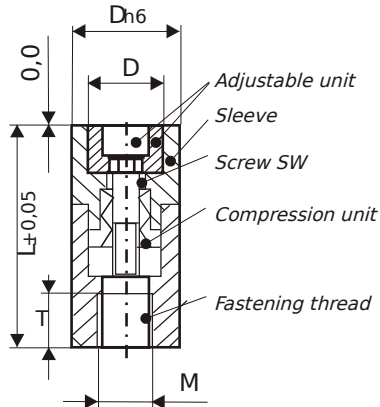
- \* Turn continuously counter-clockwise.
- \* The insert will raise remove insert.

At the end of each year, the adjustable insert with year is changed is a matter of seconds by removing and screwing it in.

- Stop production, open mould..
- Change insert, set date.
- Continue production.
- Check setting on moulded part.

# DATI 9000 MULTIPLE IDENTIFICATION DATE STAMP FAST CHANGING SYSTEM WITHOUT HEIGHT ADJUSTMENT

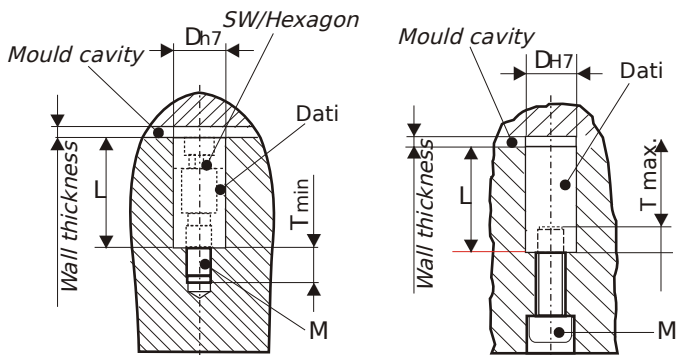
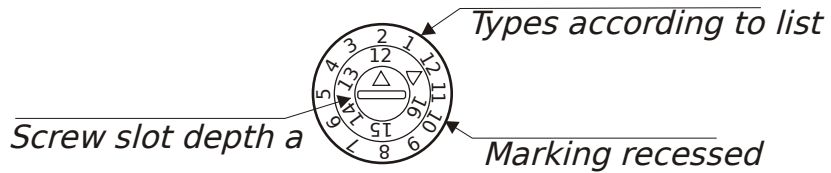
## DESCRIPTION



- \* Sleeve with identifier.
- \* Adjustable unit with an identification and screw slot. Consisting of adjustable insert and adjustable ring. Positioning via plug profile.
- \* Fastening thread.
- \* Compression unit, for the infinite locking of the adjustable insert.
- \* Material 1.4034, hardened HRC 56±2 stainless.
- \* Inscription laterally reversed.

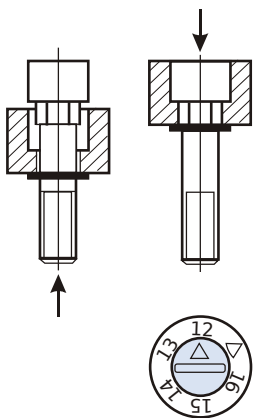


## Installation



Dimension table in mm.						
D	d	L	M	T	a	SW
6	4,2	17	3	3	0,40	2,5
8	5,8	20	4	4	0,40	3
10	7,0	20	5	4	0,40	3
12	8,5	25	6	6	0,60	4
16	11,5	33	8	8	0,60	5

## FAST CHANGING SYSTEM

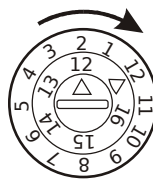


Example: Year 12

To adjust adjustable unit:

- \* Adjust adjustable insert and adjustable ring to desired position.

Example month 12



To screw in adjustable unit:

- \* Turn clockwise into sleeve.
- \* Max. To end position.
- \* Tenses automatically.
- \* Tensioning range 3-5 turns.

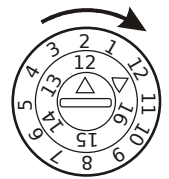
Example month 12



To change adjustable unit:

- \* Can be turned clockwise and counter-clockwise.
- \* Set desired position.
- \* Re-clamp if necessary by turning clockwise.

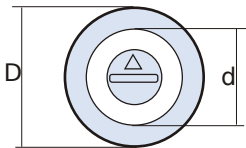
Example month 12



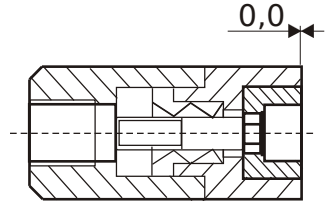
To remove adjustable unit:

- \* Turn continuously counter-clockwise.
- \* Unit will raise.
- \* Remove unit.

# DATI 9000 DATE WITHOUT HEIGHT ADJUSTMENT (Cont.)

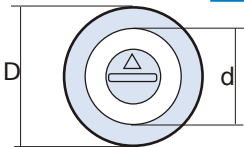


Dimension table in mm.						
<b>D</b>	6	8	10	12	16	mm
<b>d</b>	4,2	5,8	7,0	8,5	11,5	mm

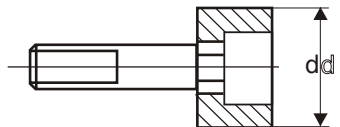


Type	BC	BCC	TA	WC
<b>Indicator</b>				
	12 months + 5 years (Dec. 2012) adjustment with two-arrow-system.	12 months + 11 years (Dec. 2013) adjustment with two-arrow-system.	30 days + 12 months + 1 year (30 Dec. 12) adjustment with two-arrow-system.	52 weeks + 5 years (week 40/2012) adjustment with two-arrow-system.
<b>D</b>	<b>Order n°</b>	<b>Order n°</b>	<b>Order n°</b>	<b>Order n°</b>
6	BC/9006/Year+4	BCC/9006/Year+10	TA/9006/Year	WC/9006/Year+4
8	BC/9008/Year+4	BCC/9008/Year+10	TA/9008/Year	WC/9008/Year+4
10	BC/9010/Year+4	BCC/9010/Year+10	TA/9010/Year	WC/9010/Year+4
12	BC/9012/Year+4	BCC/9012/Year+10	TA/9012/Year	WC/9012/Year+4
16	BC/9016/Year+4	BCC/9016/Year+10	TA/9016/Year	WC/9016/Year+4

## ADJUSTABLE UNITS DATI 9000



Ordering example: FCC/9006/09+10



Type	WCC	FC	FCC	FA	F
<b>Indicator</b>					
	52 weeks + 11 years (week. 51/2012) adjustment With two-arrow-system.	5 years (2012) For type BC/WC	11 years (2012) For type BCC, WCC	12 months + 1 year (Dec. 2012) for type TA	Insert with arrow + year
<b>D</b>	<b>Order n°</b>	<b>Order n°</b>	<b>Order n°</b>	<b>Order n°</b>	<b>Order n°</b>
6	WCC/9006/Year+10	FC/9006/Year+4	FCC/9006/Year+10	FA/9006/Year	F/9006/Year
8	WCC/9008/Year+10	FC/9008/Year+4	FCC/9008/Year+10	FA/9008/Year	F/9008/Year
10	WCC/9010/Year+10	FC/9010/Year+4	FCC/9010/Year+10	FA/9010/Year	F/9010/Year
12	WCC/9012/Year+10	FC/9012/Year+4	FCC/9012/Year+10	FA/9012/Year	F/9012/Year
16	WCC/9016/Year+10	FC/9016/Year+4	FCC/9016/Year+10	FA/9016/Year	F/9016/Year

# DATE STAMPS & INSERTS



RECOM Czigányik Kft.  
1036 Budapest, Galagonya u. 5.  
Tel.: (1) 250 52 56, 387 28 94  
recom@recom.hu  
www.recom.hu

